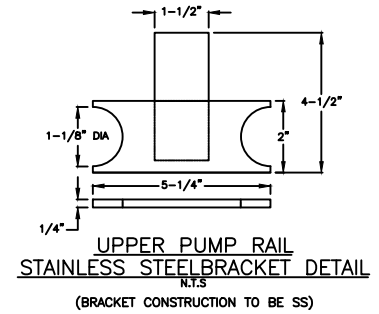
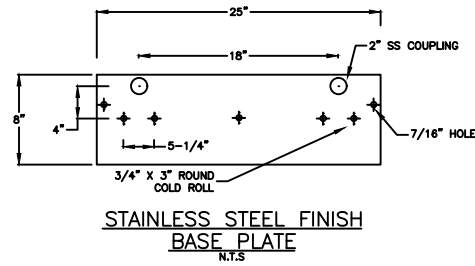


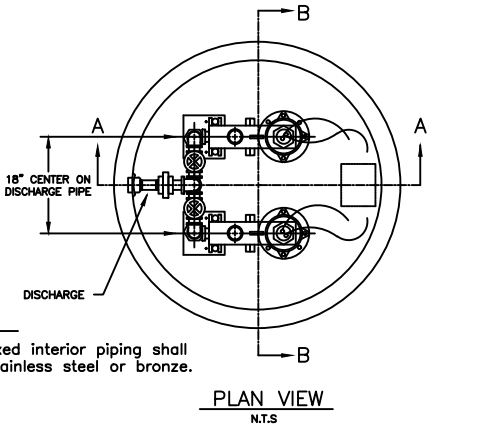
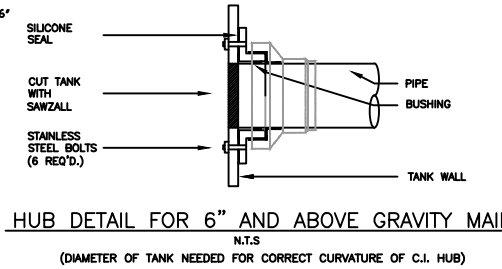
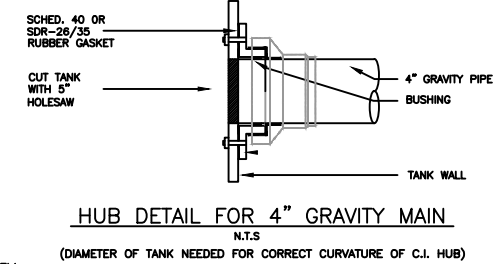
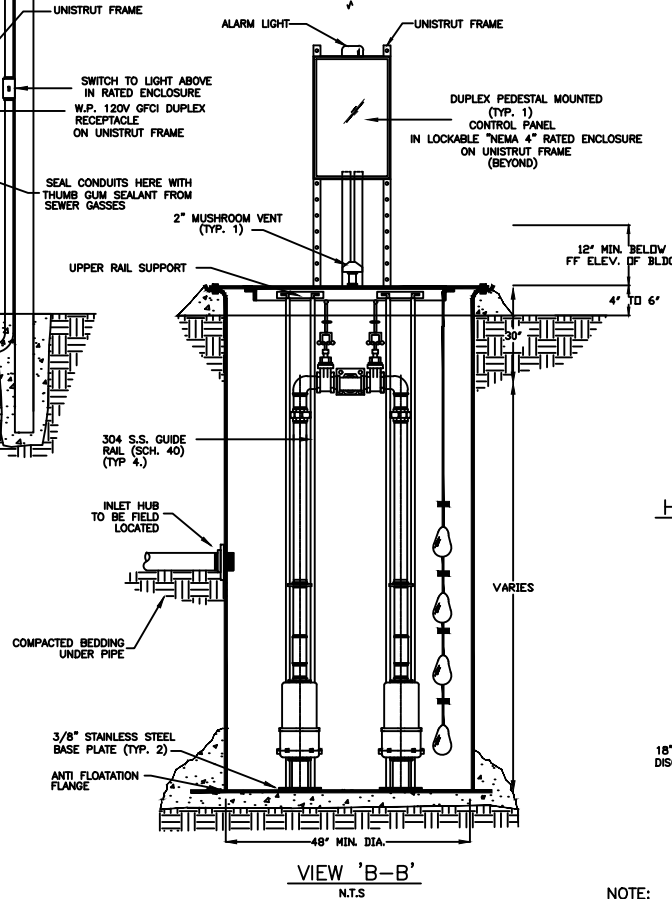
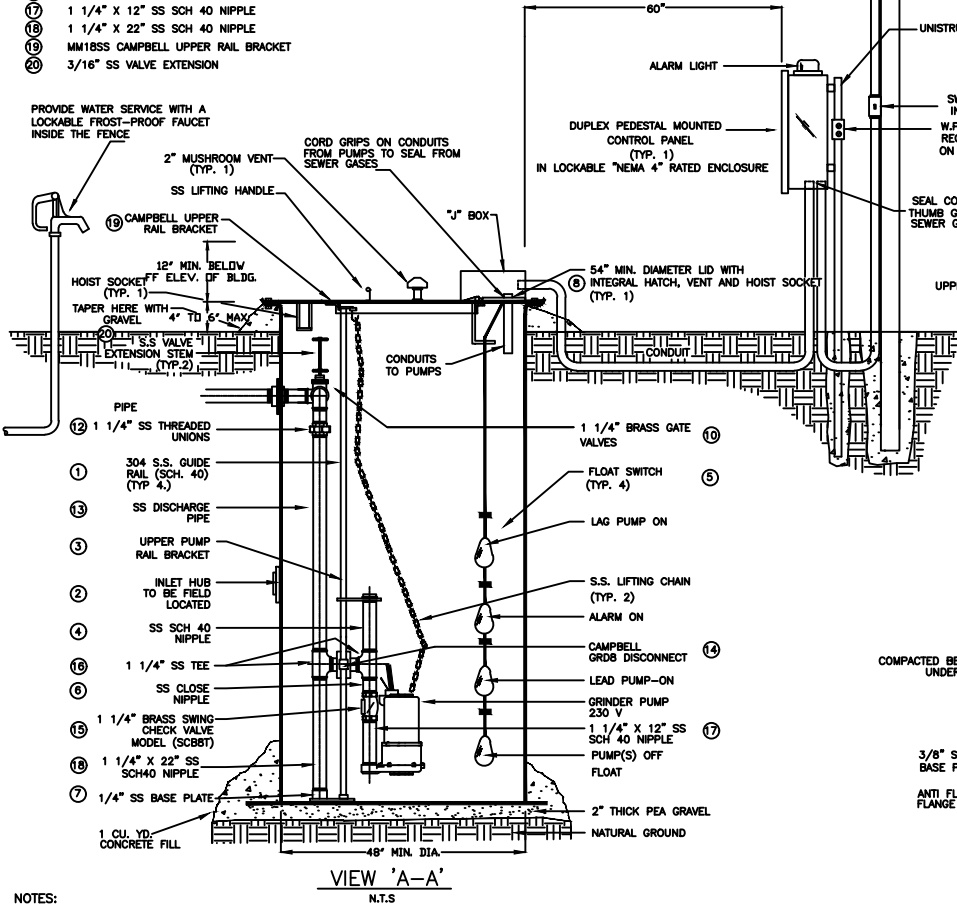
FIBERGLASS TANK

- | | |
|-----|--|
| NO. | DESCRIPTION |
| 1 | 3/4" SS SCH 40 PIPE |
| 2 | INLET GASKET OR HUB |
| 3 | 1/4" X 2" SS FLAT BAR UPPER PUMP RAIL BRACKET |
| 4 | 1 1/4" X 8" SS SCH 40 NIPPLE |
| 5 | FLOAT SWITCHES |
| 6 | 1 1/4" X 1 1/4" SS CLOSE NIPPLE |
| 7 | 9" X 26" X 3/8" SS BASE PLATE |
| 8 | ALUMINUM DIAMOND TREAD PLATE LID WITH HATCH, VENT AND HOIST SOCKET |
| 9 | 1 1/4" SS OR BRASS DIS. HUB |
| 10 | 1 1/4" BRASS GATE VALVE |
| 11 | (NOT USED) |
| 12 | 1 1/4" SS THREADED UNIONS |
| 13 | 1 1/4" SS SCH 40 DIS PIPE |
| 14 | CAMPBELL GRD 8 DISCONNECT (GRD8) |
| 15 | 1 1/4" BRASS SWING CHECK (SCB8T) |
| 16 | 1 1/4" SS TEE |
| 17 | 1 1/4" X 12" SS SCH 40 NIPPLE |
| 18 | 1 1/4" X 22" SS SCH 40 NIPPLE |
| 19 | MM18SS CAMPBELL UPPER RAIL BRACKET |
| 20 | 3/16" SS VALVE EXTENSION |

POLE MOUNTED 50 WATT WITH 5326 LUMENS L.E.D. LIGHTING PACK, 16' TO 20' ABOVE GROUND ON 4 INCH BY 4 INCH TREATED POLE INSIDE FENCE.



PROVIDE WATER SERVICE WITH A LOCKABLE FROST-PROOF FAUCET INSIDE THE FENCE



- NOTES:**
- * ALL INTERIOR PIPING TO BE STAINLESS STEEL
 - * TANK MUST BE 4" TO 6" ABOVE SURROUNDING GROUND
 - * BRASS CHECK VALVE TO BE INSTALLED EXTERNALLY
 - * PIPING FOR 2 HP TO BE 1-1/4" DIA.
 - * THE LIFT STATION CANNOT BE IN A DEPRESSION WHERE STORMWATER COLLECTS OR IS CHANNLED AS THIS WOULD LEAD TO INFILTRATION.

DATE	1/1/2007
SCALE	N.T.S.
CD TITLE	SEWER SPECS
DRAWN BY	S.Y. / JML
CHECKED BY	
SHEET	1 OF 2

PROJECT TITLE:

**STANDARD DESIGN GUIDELINES
2HP DUPLEX GRINDER PUMP STATION
SHEET 1 OF 2**

REVISIONS		
NUMBER	DATE	DESCRIPTION
	AUG 2016	CREATED 2 HP SPEC DWG
	DEC 2018	REVISED SPECS

CITY OF HOT SPRINGS

P.O. BOX 700
HOT SPRINGS
ARKANSAS 71901
Tel (501) 321-6861 Fax (501) 321-6969

ENGINEERING DEPARTMENT

Engineering Office, (501) 321-6861